

# Regent

Unique to BMI Redland and characterised by its high, bold roll profile, the Regent tile is manufactured with a choice of through-coloured or granular finishes in six different colours offering flexibility and compatibility to suit all roof types.

## KEY ADVANTAGES

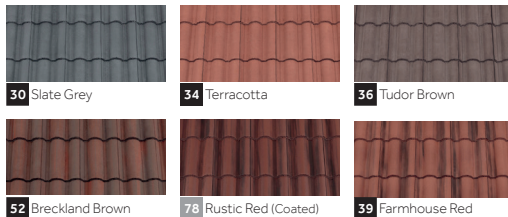
- Unique high, bold roll profile
- Our lowest pitch capability tile – ideal for extensions and lean-to roofing



## PRODUCT DATA

<b>Size</b> (overall)	418 x 332mm	
<b>Minimum Pitch and Headlap</b>		
Through coloured	12.5° at 100mm headlap / 17.5° at 75mm headlap	
Granular	22.5° at 100mm headlap / 30° at 75mm headlap	
<b>Maximum Pitch</b> (subject to fixing specification)	90°	
<b>Maximum Headlap</b>	125mm	
<b>Minimum Gauge/Batten Spacing</b>	293mm	
<b>Maximum Gauge/Batten Spacing</b>		
Through coloured	below 17.5° at 318mm / 17.5° and over 343mm	
Granular	below 30° at 318mm / 30° and over 343mm	
<b>Hanging Length</b> (approx.)	397mm	
<b>Cover</b> (all figures are net and do not allow for wastage)		
Linear cover of 1 tile	300mm	
Covering capacity	10.5 tiles/m <sup>2</sup> at 318mm gauge / 9.7 tiles/m <sup>2</sup> at 343mm gauge	
<b>Weight</b> (at max. gauge approx.)*	46kg/m <sup>2</sup> at 318mm gauge / 43kg/m <sup>2</sup> at 343mm gauge	
per pallet, including pallet (approx.)	1.18 tonnes	
per 1000	4.43 tonnes	
<b>Battens Required</b> (at max. gauge)	2.92m/m <sup>2</sup>	
<b>Batten Size</b>		
Rafter centres up to 450mm	38 x 25mm	
Rafter centres up to 600mm	50 x 25mm	
<b>Fixing Clips</b>	Eaves, Verge & Tile Clips	
<b>Nail Size for Tiles**</b>	75 x 3.35mm (A/A)	
<b>Pallet Quantities</b>	Tiles per pallet 252 / Tiles per pack 42 / Packs per pallet 6	

\*All weights nominal \*\* (A/A) Aluminium Alloy



## FITTINGS & ACCESSORIES

### VERGE

Cloaked Verge  
Ambi-Dry Verge  
Rapid Verge

### HIP PRODUCTS

Third Round Hip  
Dry Hip  
Rapid Hip

### VALLEY PRODUCTS

GRP 125 Valley  
Dry Valley

### RIDGE PRODUCTS

Half Round Ridge  
Half Round Monoridge

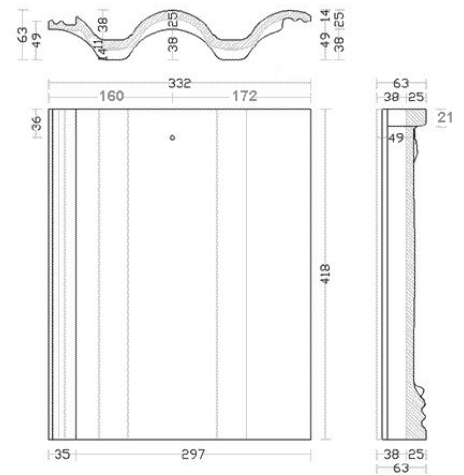
### VENTILATION SYSTEMS

RedVent EavesVent  
RedVent 25 Over-Fascia Vent  
Top Edge Abutment Ventilation  
DryVent Ridge  
Rapid Vented Ridge  
Uni-Vent Rapid Ridge/Hip  
DryVent Monoridge  
RedLine Ventilation Tile  
Rapid Roof Vent  
8.8k ThruVent Tile



# Regent Product Codes

TILES		VALLEY PRODUCTS	
Standard Tile	3401	GRP 125 Valley (3m)	9595
UNDERLAYS		Dry Valley (Low Profile)(3m)	9574
Spirtech 400 2S underlay	9202	Universal Valley Trough Tile	7175
Divoroll Elite 2S	9157	ABUTMENT PRODUCTS	
Divoroll Universal 2S	9156	Wakaflex Rapid Flashing	
EAVES PRODUCTS		Top Edge Abutment Ventilation Pack (3m)	9542
RedVent EavesVent 350-450mm (6m)	9189	Bonding Gutter (3m)	9578
RedVent EavesVent 450-600mm (6m)	9190	RIDGE PRODUCTS	
Extension Trays 350-450mm (6m)	9498	DryVent Ridge (2.7m)	9096
Extension Trays 450-600mm (6m)	9499	Uni-Vent Rapid Ridge/Hip (10m)	9313
Rapid EavesVent 2-in-1 Tray	9988	Continuous Ridge (5m)	9304
Rapid EavesVent Rafter Roll (6m)	9984	Ridge Vent Terminal	7253
RedVent 25 Over-Fascia Vent (6m)	9593	Ridge Vent Terminal Adaptor	9175
Underlay Support Tray (1.5m)	9076	Flexible Pipe (100 to 100mm)	9172
Eaves Comb Filler (1m)	9965	Gas Flue Ridge Terminals	7241
VERGE PRODUCTS		Gas Flue Extension Adaptor	9143
Cloaked Verge LH	7275	Gas Flue Blanking Plates	9098
Cloaked Verge RH	7276	Half Round Ridge	8101
Half Tile	7730	Half Round Ridge Block-End	7519
DryVerge (Pack of 18 LH & 18 RH)	9390	DryVent Monoridge (2.7m)	9079
DryVerge Gable End Pack	9880	Half Round Monoridge	7203
Rapid DryVerge (Pack of 18 LH & 18 RH)	9391	Half Round Block-End Monoridge LH	7266
Rapid DryVerge Gable End Pack	9881	Half Round Block-End Monoridge RH	7267
HIP PRODUCTS		Dentil Slip	7174
Dry Hip (2.7m)	9046	Mortar Bedded Fixing Kit	9314
Continuous Hip (5m)	9028	Ridge End Cap Half Round	9772
Third Round Hip/Ridge Junction	9521	Ridge End Cap Half Round	9772
Uni-Vent Rapid Ridge/Hip (10m)	9313	VENTILATION TILES	
Uni-Vent Rapid Hip Support Tray (1.2m)	9069	RedLine Vent Tile	9115
Third Round Hip (without nail holes)	8122	8.8k ThruVent Tile	7930
Third Round Hip (with nail holes)	7411	Flexible Pipe (100 to 100mm)	9172
Hip Iron	9258	FIXING	
Third Round Block-End Hip	7784	Tile Clip	9246
Dentil Slip	7174	Verge Clip LH	9121
Mortar Bedded Fixing Kit	9314	Verge Clip RH	9298
		Eaves Clip inc Nail	9287
		Tile Clip Nail (680)	9333
		Tile Nail (420)	9337
		Kro-Clip (50)	9142
		Innofix Clip (500)	9821



BMI UK & Ireland  
BMI House,  
2 Pitfield, Kiln Farm,  
Milton Keynes, MK11 3LW  
+44 (0) 3705 601000

[www.bmigroup.com/uk](http://www.bmigroup.com/uk)

We are committed to continuously enhancing and improving our product range. We reserve the right to change our product specifications. We reserve the right to correct any typographical or clerical error or omission. For the latest information contact customer service.